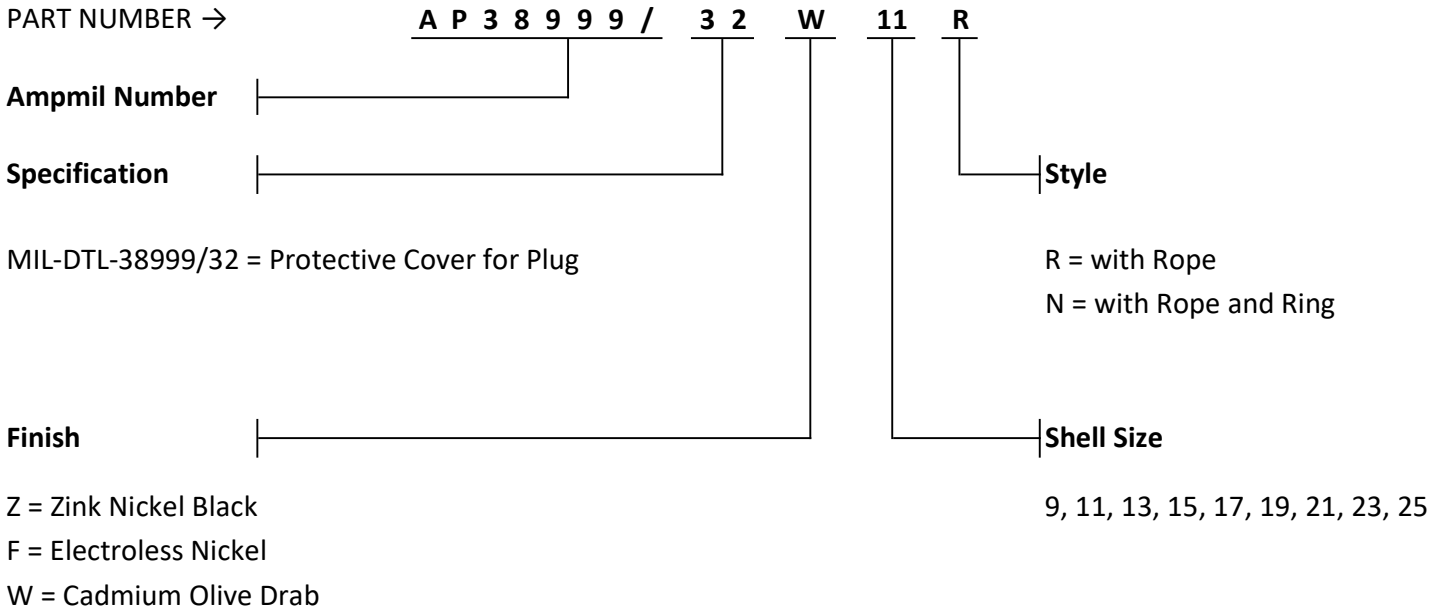


How to Order

CONNECTOR, ELECTRICAL CIRCULAR, COVER, PROTECTIVE, PLUG, MIL-DTL-38999/32 SERIES III,



For technical specification & dimensional details, refer AMPMIL Product drawing - **AP38999/32XXX**