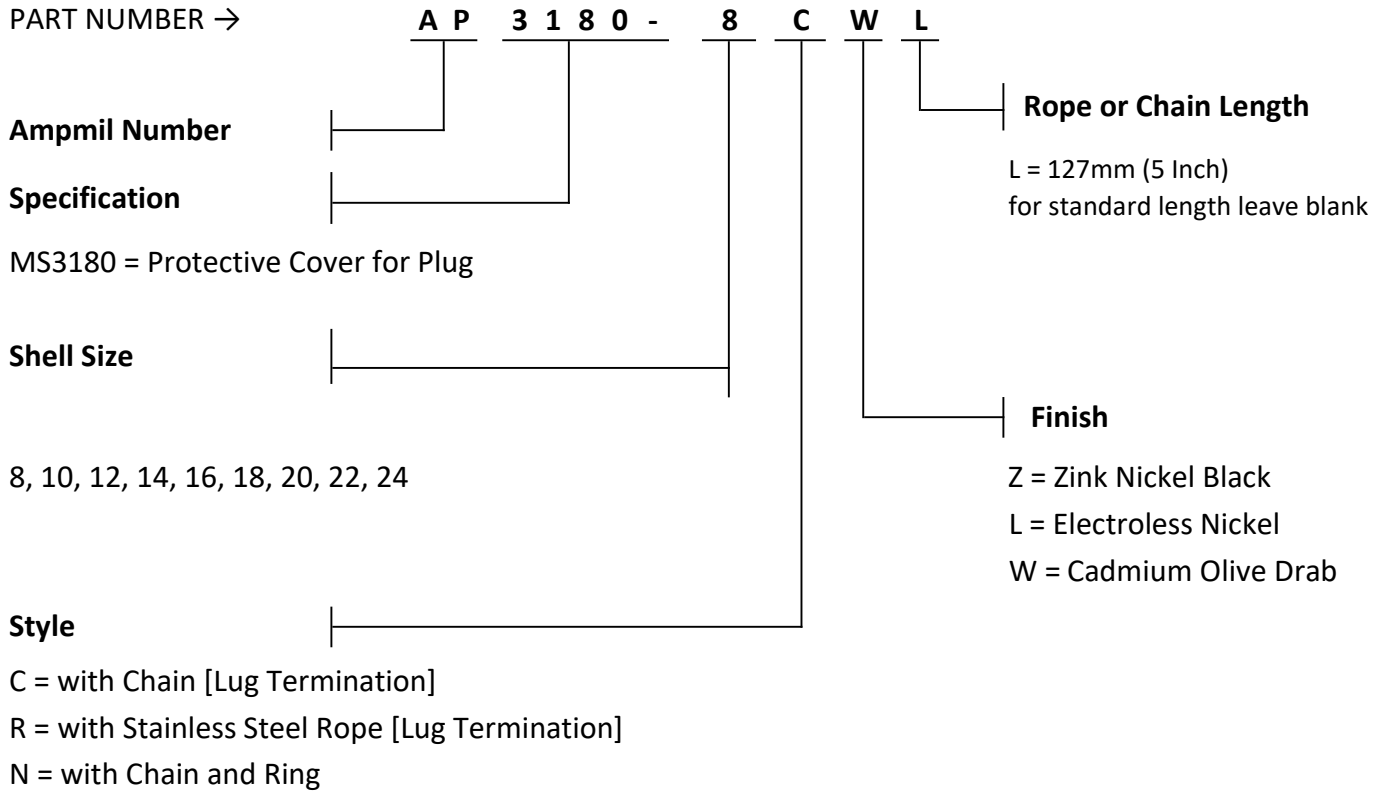


## How to Order

### MIL-DTL-26482 SERIES-I & II, PROTECTIVE COVER FOR PLUG



For technical specification & dimensional details, refer AMPMIL Product drawing - **AP3180-XXX**