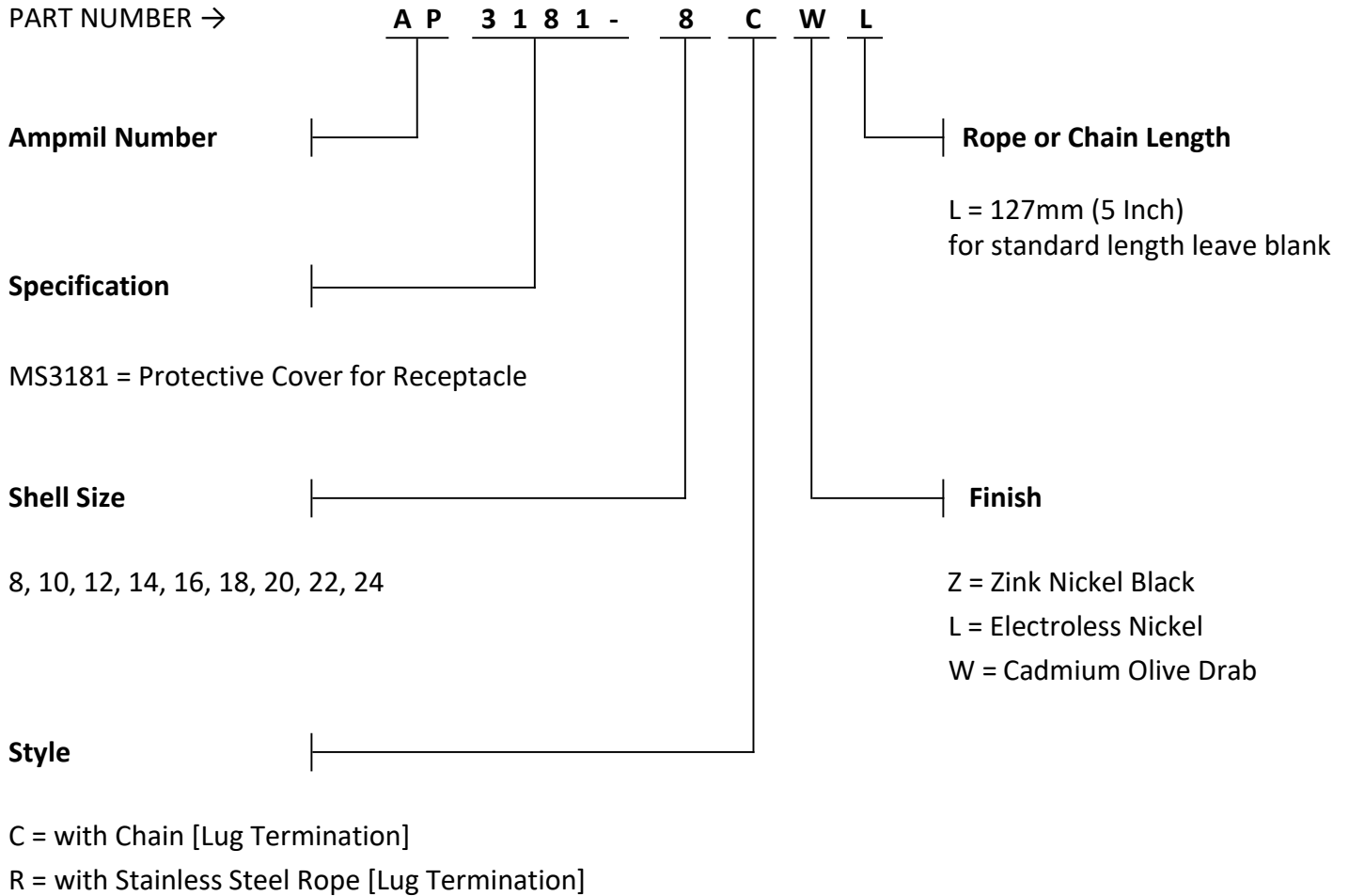


HOW TO ORDER

MIL-DTL-26482 SERIES-I & II, PROTECTIVE COVER FOR RECEPTACLE



For technical specification & dimensional details, refer AMPMIL Product drawing - **AP3181-XXX**