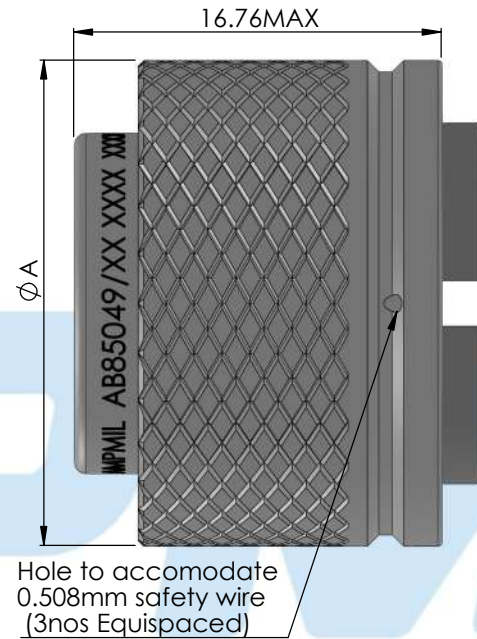
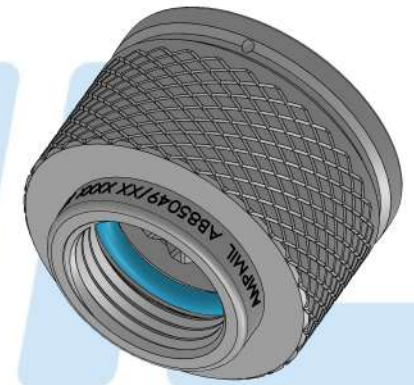
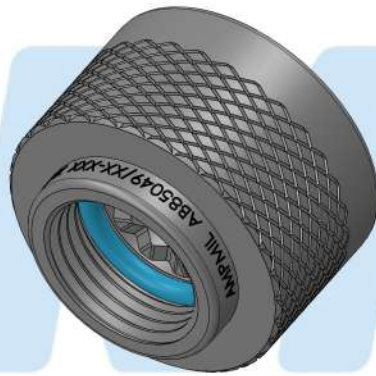
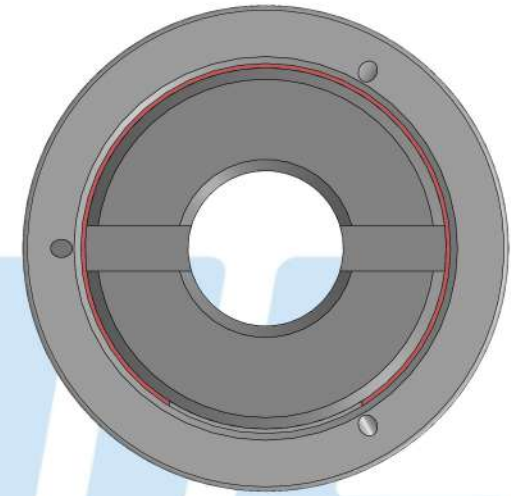


"S" DETENT SELF LOCKING



"N" NON DETENT SELF LOCKING



FOR ORDERING REFER AMPMIL "HOW TO ORDER DOCUMENT"

NOTE:

- 1) Coupling nut captivated to adapter body and free to rotate
- 2) Interface dimensions compliance to AS85049
- 3) Material and Finish in accordance with AS85049

SHELL SIZE	SHELL SIZE CODE (REF)	ØA	B-THREAD
		MAX	
9	A	21.8	M12 X 1 -6H
11	B	25	M15 X 1 -6H
13	C	29.39	M18 X 1 -6H
15	D	32.49	M22 X 1 -6H
17	E	35.71	M25 X 1 -6H
19	F	38.5	M28 X 1 -6H
21	G	41.71	M31 X 1 -6H
23	H	44.91	M34 X 1 -6H
25	J	47.98	M37 X 1 -6H

SPECIFICATIONS			
NO.	PART NAME	MATERIAL	FINISH
01	SHELL	ALUMINIUM	AS PER ORDERING SHEET
02	FASTENERS	STAINLESS STEEL	PASSIVATED
03	ORING	SILICON ELASTOMER	NATURAL

REVISIONS DETAILS				
REV	ECN NO.	DESCRIPTION	DATE	APPROVED
A		INITIAL REL.		

THIRD ANGLE PROJECTION	UNSPECIFIED TOLERANCE .X ± 0.38 .XX ± 0.25 ANGLE ± 1° UNIT-MILLIMETER
DRAWN	RHK
CHECKED	RPT
APR'VD	DSN
DATE	15-07-2024
SCALE - NTS	SHEET: 2 OF 1

AMP MIL
RELIABLE CONNECTOR SOLUTIONS

INDUSTRIAL TOWN,
BANGALORE
INDIA - 560010
PH : +91 6363911299
sales@ampmil.com
www.ampmil.com

This document is the property of M/s. Ampmil Interconnect (P) Ltd., Rights of reproduction, utilization or disclosure to the third parties in any form whatsoever, is not allowed without the written consent of the Company.

DESCRIPTION	
MIL-DTL-38999 SERIES III AND IV CONNECTOR BACKSHELL, STRIGHT, SELF-LOCKING	
PART NUMBER	AB85049/14-XXX
(FOR XXX CONFIGURATION REFER HOW TO ORDER DOCUMENT)	
REV	A