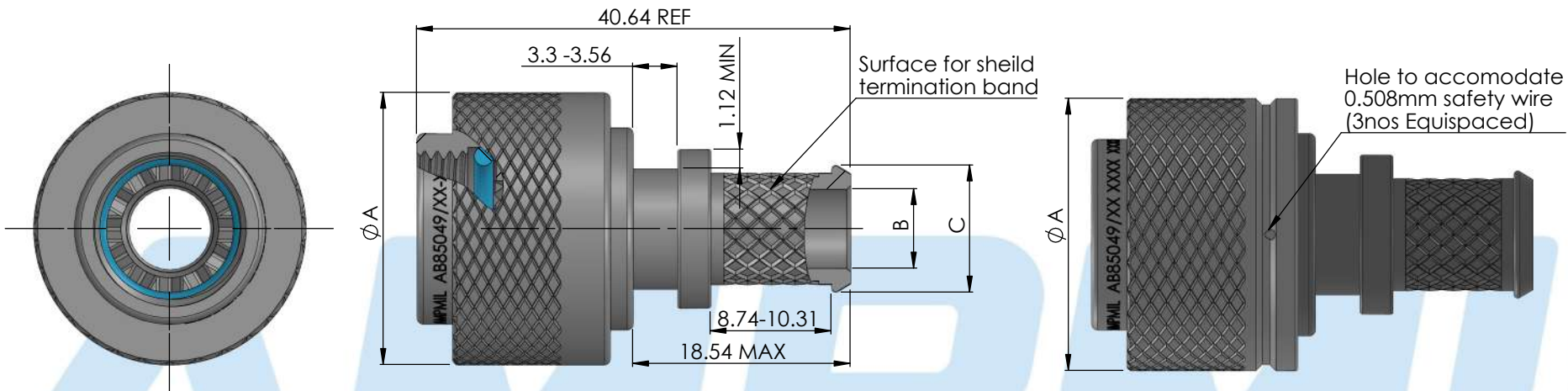


PRODUCT DRAWING



"-" DETENT SELF LOCKING

"N" NON DETENT SELF LOCKING



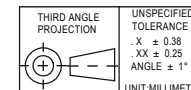
FOR ORDERING REFER AMPMIL "HOW TO ORDER DOCUMENT"

SPECIFICATIONS

NO.	PART NAME	MATERIAL	FINISH
01	SHELL	ALUMINIUM	AS PER ORDERING SHEET
02	FASTENERS	STAINLESS STEEL	PASSIVATED
03	ORING	SILICON ELASTOMER	NATURAL

NOTE:

- 1) Coupling nut captivated to adapter body and free to rotate
- 2) Interface dimensions compliance to AS85049
- 3) Material and Finish in accordance with AS85049



THIRD ANGLE PROJECTION
UNSPECIFIED TOLERANCE
.X ± 0.38
.XX ± 0.25
ANGLE ± 1°
UNIT-MILLIMETER



This document is the property of M/s. Ampmil Interconnect (P) Ltd., Rights of reproduction, utilization or disclosure to the third parties in any form whatsoever, is not allowed without the written consent of the Company.

INDUSTRIAL TOWN, BANGALORE, INDIA - 560010
PH : +91 6363911299
sales@ampmil.com
www.ampmil.com

DESCRIPTION
MIL-DTL-38999 SERIES III AND IV CONNECTOR BACKSHELL, STRIGHT, SELF-LOCKING, SHIELD TERMINATION

PART NUMBER **AB85049/88-XXX**
(FOR XXX CONFIGURATION REFER HOW TO ORDER DOCUMENT)

REVISIONS DETAILS

REV	ECN NO.	DESCRIPTION	DATE	APPROVED
A	INITIAL REL.			

DRAWN RHK
CHECKED RPT
APR'VD DSN
DATE 15-05-2024
SCALE - NTS SHEET: 1 OF 1

REV **A**

ACCESSORY SHELL SIZE	SHELL SIZE CODE (REF)	A MAX	B		C	
			REF		REF	
			+0.64	-0.25	CABLE ENTRY SIZE	
			02	03	02	03
9	A	21.8	N/A	6.4	N/A	10
11	B	25	N/A	7.9	N/A	11.6
13	C	29.4	7.9	11.1	11.6	14.8
15	D	32.5	11.1	14.3	14.8	18
17	E	35.7	12.7	15.9	16.4	19.6
19	F	38.5	15.9	19.1	19.6	22.7
21	G	41.7	15.9	20.6	19.6	24.3
23	H	44.9	17.5	23.8	21.1	27.5
25	J	48	19.1	25.4	22.7	29.1